

Classic Battery Cabinet for IEC

For Galaxy VS/VL and Easy UPS 3-Phase Modular

Installation

GVSCBC7C, GVSCBC7D, GVSCBC7E, GVSCBC10A2, GVSCBC10B2

Latest updates are available on the Schneider Electric website
7/2022



Legal Information

The Schneider Electric brand and any trademarks of Schneider Electric SE and its subsidiaries referred to in this guide are the property of Schneider Electric SE or its subsidiaries. All other brands may be trademarks of their respective owners.

This guide and its content are protected under applicable copyright laws and furnished for informational use only. No part of this guide may be reproduced or transmitted in any form or by any means (electronic, mechanical, photocopying, recording, or otherwise), for any purpose, without the prior written permission of Schneider Electric.

Schneider Electric does not grant any right or license for commercial use of the guide or its content, except for a non-exclusive and personal license to consult it on an "as is" basis. Schneider Electric products and equipment should be installed, operated, serviced, and maintained only by qualified personnel.

As standards, specifications, and designs change from time to time, information contained in this guide may be subject to change without notice.

To the extent permitted by applicable law, no responsibility or liability is assumed by Schneider Electric and its subsidiaries for any errors or omissions in the informational content of this material or consequences arising out of or resulting from the use of the information contained herein.

Table of Contents

Important Safety Instructions — SAVE THESE	
INSTRUCTIONS	5
Safety Precautions	6
Electrical Safety	8
Battery Safety	9
Specifications	11
Classic Battery Cabinet Specifications	11
Trip Settings	12
Recommended Cable Sizes	14
Torque Specifications	16
Environment	16
Clearance	16
Classic Battery Cabinet Weights and Dimensions	17
Installation Procedure	18
Prepare for Cables	19
Connect the Signal Cables to the Galaxy VS UPS	20
Connect the Signal Cables to the Galaxy VL UPS	23
Connect the Signal Cables to the Easy UPS 3-Phase Modular	27
Connect the Power Cables	30
Add Translated Safety Labels to Your Product	32
Final Installation	33
Decommission or Move the Classic Battery Cabinet to a New Location	35

Important Safety Instructions — SAVE THESE INSTRUCTIONS

Read these instructions carefully and look at the equipment to become familiar with it before trying to install, operate, service or maintain it. The following safety messages may appear throughout this manual or on the equipment to warn of potential hazards or to call attention to information that clarifies or simplifies a procedure.



The addition of this symbol to a “Danger” or “Warning” safety message indicates that an electrical hazard exists which will result in personal injury if the instructions are not followed.



This is the safety alert symbol. It is used to alert you to potential personal injury hazards. Obey all safety messages with this symbol to avoid possible injury or death.

DANGER

DANGER indicates a hazardous situation which, if not avoided, **will result in death or serious injury.**

Failure to follow these instructions will result in death or serious injury.

WARNING

WARNING indicates a hazardous situation which, if not avoided, **could result in death or serious injury.**

Failure to follow these instructions can result in death, serious injury, or equipment damage.

CAUTION

CAUTION indicates a hazardous situation which, if not avoided, **could result in minor or moderate injury.**

Failure to follow these instructions can result in injury or equipment damage.

NOTICE

NOTICE is used to address practices not related to physical injury. The safety alert symbol shall not be used with this type of safety message.

Failure to follow these instructions can result in equipment damage.

Please Note

Electrical equipment should only be installed, operated, serviced, and maintained by qualified personnel. No responsibility is assumed by Schneider Electric for any consequences arising out of the use of this material.

A qualified person is one who has skills and knowledge related to the construction, installation, and operation of electrical equipment and has received safety training to recognize and avoid the hazards involved.

Safety Precautions

DANGER

HAZARD OF ELECTRIC SHOCK, EXPLOSION, OR ARC FLASH

Read all instructions in the installation manual before installing or working on this product.

Failure to follow these instructions will result in death or serious injury.

DANGER

HAZARD OF ELECTRIC SHOCK, EXPLOSION, OR ARC FLASH

Do not install the product until all construction work has been completed and the installation room has been cleaned.

Failure to follow these instructions will result in death or serious injury.

DANGER

HAZARD OF ELECTRIC SHOCK, EXPLOSION, OR ARC FLASH

The product must be installed according to the specifications and requirements as defined by Schneider Electric. It concerns in particular the external and internal protections (upstream breakers, battery breakers, cabling, etc.) and environmental requirements. No responsibility is assumed by Schneider Electric if these requirements are not respected.

Failure to follow these instructions will result in death or serious injury.

DANGER

HAZARD OF ELECTRIC SHOCK, EXPLOSION, OR ARC FLASH

The UPS system must be installed according to local and national regulations. Install the UPS according to:

- IEC 60364 (including 60364-4-41- protection against electric shock, 60364-4-42 - protection against thermal effect, and 60364-4-43 - protection against overcurrent), **or**
- NEC NFPA 70, **or**
- Canadian Electrical Code (C22.1, Part 1)

depending on which one of the standards apply in your local area.

Failure to follow these instructions will result in death or serious injury.

DANGER

HAZARD OF ELECTRIC SHOCK, EXPLOSION, OR ARC FLASH

- Install the product in a temperature controlled indoor environment free of conductive contaminants and humidity.
- Install the product on a non-flammable, level and solid surface (e.g. concrete) that can support the weight of the system.

Failure to follow these instructions will result in death or serious injury.

⚠ ⚠ DANGER

HAZARD OF ELECTRIC SHOCK, EXPLOSION, OR ARC FLASH

The product is not designed for and must therefore not be installed in the following unusual operating environments:

- Damaging fumes
- Explosive mixtures of dust or gases, corrosive gases, or conductive or radiant heat from other sources
- Moisture, abrasive dust, steam or in an excessively damp environment
- Fungus, insects, vermin
- Salt-laden air or contaminated cooling refrigerant
- Pollution degree higher than 2 according to IEC 60664-1
- Exposure to abnormal vibrations, shocks, and tilting
- Exposure to direct sunlight, heat sources, or strong electromagnetic fields

Failure to follow these instructions will result in death or serious injury.

⚠ ⚠ DANGER

HAZARD OF ELECTRIC SHOCK, EXPLOSION, OR ARC FLASH

Do not drill or cut holes for cables or conduits with the gland plates installed and do not drill or cut holes in close proximity to the UPS.

Failure to follow these instructions will result in death or serious injury.

⚠ ⚠ WARNING

HAZARD OF ARC FLASH

Do not make mechanical changes to the product (including removal of cabinet parts or drilling/cutting of holes) that are not described in the installation manual.

Failure to follow these instructions can result in death, serious injury, or equipment damage.

NOTICE

RISK OF OVERHEATING

Respect the space requirements around the product and do not cover the ventilation openings when the product is in operation.

Failure to follow these instructions can result in equipment damage.

Electrical Safety

DANGER

HAZARD OF ELECTRIC SHOCK, EXPLOSION, OR ARC FLASH

- Electrical equipment must be installed, operated, serviced, and maintained only by qualified personnel.
- Apply appropriate personal protective equipment (PPE) and follow safe electrical work practices.
- Turn off all power supplying the UPS system before working on or inside the equipment.
- Before working on the UPS system, check for hazardous voltage between all terminals including the protective earth.
- The UPS contains an internal energy source. Hazardous voltage can be present even when disconnected from the mains supply. Before installing or servicing the UPS system, ensure that the units are OFF and that mains and batteries are disconnected. Wait five minutes before opening the UPS to allow the capacitors to discharge.
- The UPS must be properly earthed/grounded and due to a high leakage current, the earthing/grounding conductor must be connected first.

Failure to follow these instructions will result in death or serious injury.

DANGER

HAZARD OF ELECTRIC SHOCK, EXPLOSION, OR ARC FLASH

In systems where backfeed protection is not part of the standard design, an automatic isolation device (backfeed protection option or other device meeting the requirements of IEC/EN 62040–1 or UL1778 5th Edition – depending on which of the two standards apply to your local area) must be installed to prevent hazardous voltage or energy at the input terminals of the isolation device. The device must open within 15 seconds after the upstream power supply fails and must be rated according to the specifications.

Failure to follow these instructions will result in death or serious injury.

When the UPS input is connected through external isolators that, when opened, isolate the neutral or when the automatic backfeed isolation is provided external to the equipment or is connected to an IT power distribution system, a label must be fitted at the UPS input terminals, and on all primary power isolators installed remote from the UPS area and on external access points between such isolators and the UPS, by the user, displaying the following text (or equivalent in a language which is acceptable in the country in which the UPS system is installed):

DANGER

HAZARD OF ELECTRIC SHOCK, EXPLOSION, OR ARC FLASH

Risk of Voltage Backfeed. Before working on this circuit: Isolate the UPS and check for hazardous voltage between all terminals including the protective earth.

Failure to follow these instructions will result in death or serious injury.

Battery Safety

DANGER

HAZARD OF ELECTRIC SHOCK, EXPLOSION OR ARC FLASH

- Battery circuit breakers must be installed according to the specifications and requirements as defined by Schneider Electric.
- Servicing of batteries must only be performed or supervised by qualified personnel knowledgeable of batteries and the required precautions. Keep unqualified personnel away from batteries.
- Disconnect charging source prior to connecting or disconnecting battery terminals.
- Do not dispose of batteries in a fire as they can explode.
- Failed batteries can reach temperatures that exceed the burn thresholds for touchable surfaces.
- Do not open, alter, or mutilate batteries. Released electrolyte is harmful to the skin and eyes. It may be toxic.

Failure to follow these instructions will result in death or serious injury.

DANGER

HAZARD OF ELECTRIC SHOCK, EXPLOSION, OR ARC FLASH

Batteries can present a risk of electric shock and high short-circuit current. The following precautions must be observed when working on batteries:

- Remove watches, rings, or other metal objects.
- Use tools with insulated handles.
- Wear protective glasses, gloves, and boots.
- Do not lay tools or metal parts on top of batteries.
- Disconnect the charging source prior to connecting or disconnecting battery terminals.
- Determine if the battery is inadvertently grounded. If inadvertently grounded, remove source from ground. Contact with any part of a grounded battery can result in electric shock and burns by high short-circuit current. The likelihood of such shock can be reduced if such grounds are removed during installation and maintenance by a skilled person (applicable to equipment and remote battery supplies not having a grounded supply circuit).

Failure to follow these instructions will result in death or serious injury.

DANGER

HAZARD OF ELECTRIC SHOCK, EXPLOSION, OR ARC FLASH

When replacing batteries, always replace with the same type and number of batteries or battery packs. Refer to the label in the classic battery cabinet for information on batteries in your system.

Failure to follow these instructions will result in death or serious injury.

▲ CAUTION**RISK OF EQUIPMENT DAMAGE**

- Mount the batteries in the UPS system, but do not connect the batteries until the UPS system is ready to be powered up. The time duration from battery connection until the UPS system is powered up must not exceed 72 hours or 3 days.
- Batteries must not be stored more than six months due to the requirement of recharging. If the UPS system remains de-energized for a long period, we recommend that you energize the UPS system for a period of 24 hours at least once every month. This charges the batteries, thus avoiding irreversible damage.

Failure to follow these instructions can result in injury or equipment damage.

Specifications

NOTICE
HAZARD OF EQUIPMENT DAMAGE
Refer to the UPS installation manual for detailed specifications for the UPS system.
Failure to follow these instructions can result in equipment damage.

Classic Battery Cabinet Specifications

⚠️ DANGER
HAZARD OF ELECTRIC SHOCK, EXPLOSION OR ARC FLASH
The classic battery cabinet must only be used with the Galaxy VS UPS, the Galaxy VL UPS, or the Easy UPS 3-Phase Modular.
Failure to follow these instructions will result in death or serious injury.

NOTE: Up to two classic battery cabinets (GVSCBC7C, GVSCBC7D, GVSCBC7E, GVSCBC10A2, or GVSCBC10B2) can be connected to the Galaxy VS UPS.

NOTE: Minimum two classic battery cabinets and up to four classic battery cabinets (GVSCBC10A2 or GVSCBC10B2) can be connected to the Galaxy VL UPS.

NOTE: Up to four classic battery cabinets (GVSCBC7C, GVSCBC7D, GVSCBC7E, GVSCBC10A2, or GVSCBC10B2) can be connected to the Easy UPS 3-Phase Modular.

Commercial reference	Battery type	Number of battery blocks
GVSCBC7C	XP12V1800 ¹ or XP12-240	36
GVSCBC7D	XP12-150	40
GVSCBC7E	XP12-150	46
GVSCBC10A2	XP12-240	48
GVSCBC10B2	XP12-350	40

1. No longer standard. Can be ordered as Make to Order with specified lead time.

Trip Settings

Trip settings must be controlled during installation. Set the trip settings according to the relevant table below.

GVSCBC7C

UPS rating	20-50 kW			60 kW			80 kW			100 kW			
Power factor	0.8	0.9	1	0.8	0.9	1	0.8	0.9	1	0.8	0.9	1	
Breaker type	C25S3D + C253MG250D										NA		
Ir setting	175			200			250			250			
Im setting	1250												

GVSCBC7D

UPS rating	20 kW			30 kW			40-50 kW			60 kW		
Power factor	0.8	0.9	1	0.8	0.9	1	0.8	0.9	1	0.8	0.9	1
Breaker type	C10S3D + C103MG080											
Ir setting	56			72			80			80	NA	
Im setting	400											

GVSCBC7E

UPS rating	20-50 kW			60 kW			80 kW		
Power factor	0.8	0.9	1	0.8	0.9	1	0.8	0.9	1
Breaker type	C25S3D + C253MG200D								
Ir setting	140			160			200		
Im setting	1000								

GVSCBC10A2

UPS rating	20-60 kW			80 kW			100 kW			120 kW			150 kW		
Power factor	0.8	0.9	1	0.8	0.9	1	0.8	0.9	1	0.8	0.9	1	0.8	0.9	1
Breaker type	C25S3D + C253MG250D														NA
Ir setting	175			175	175	200	200	225	225	225	250	250	250		
Im setting	1250														

UPS rating	200 kW	250 kW	300 kW	350 kW	400 kW	450 kW	500 kW
Power factor	1						
Breaker type	C25S3D + C253MG250D						
Number of classic battery cabinets	2 x GVSCBC10-A2	2 x GVSCBC10-A2	3 x GVSCBC10-A2	3 x GVSCBC10-A2	4 x GVSCBC10-A2	4 x GVSCBC10-A2	4 x GVSCBC10-A2

UPS rating	200 kW	250 kW	300 kW	350 kW	400 kW	450 kW	500 kW
Power factor	1						
I_r setting	225	250	225	250	225	250	250
I_m setting	1250						

GVSCBC10B2

UPS rating	20-80 kW			100 kW			120 kW			150 kW		
Power factor	0.8	0.9	1	0.8	0.9	1	0.8	0.9	1	0.8	0.9	1
Breaker type	C40S3TM320D											
I_r setting	224			224	256	288	288	320			320	
I_m setting	1500											

UPS rating	200 kW	250 kW	300 kW	350 kW	400 kW	450 kW	500 kW
Power factor	1						
Breaker type	C40S3TM320D						
Number of classic battery cabinets	2 x GVSCBC10-B2	2 x GVSCBC10-B2	3 x GVSCBC10-B2	3 x GVSCBC10-B2	4 x GVSCBC10-B2	4 x GVSCBC10-B2	4 x GVSCBC10-B2
I_r setting	288	320	288	320	288	320	320
I_m setting	1500						

Recommended Cable Sizes

⚡⚠ DANGER

HAZARD OF ELECTRIC SHOCK, EXPLOSION, OR ARC FLASH

All wiring must comply with all applicable national and/or electrical codes. The maximum allowable cable size is 95 mm².

Failure to follow these instructions will result in death or serious injury.

Cable sizes in this manual are based on table B.52.3 (52-C2) of IEC 60364-5-52 with the following assertions:

- 90 °C conductors
- An ambient temperature of 30 °C
- Use of copper conductors
- Installation method C

Protective Earth (PE) cables are sized in accordance with table 54.3 of IEC 60364-4-54, Article 543.

If the ambient temperature is greater than 30 °C, larger conductors are to be selected in accordance with the correction factors of the IEC.

GVSCBC7C

UPS rating	20-60 kW			80 kW			100 kW		
Power factor	0.8	0.9	1	0.8	0.9	1	0.8	0.9	1
DC+/DC- (mm ²)	50			70			70	NA	
DC PE (mm ²)	25			35			35		

GVSCBC7D

UPS rating	20-30 kW			40-50 kW			60 kW		
Power factor	0.8	0.9	1	0.8	0.9	1	0.8	0.9	1
DC+/DC- (mm ²)	16			35			35		
DC PE (mm ²)	10			16			16		

GVSCBC7E

UPS rating	20-60 kW			80 kW		
Power factor	0.8	0.9	1	0.8	0.9	1
DC+/DC- (mm ²)	35			50		
DC PE (mm ²)	16			25		

GVSCBC10A2

UPS rating	20-80 kW			100-120 kW			150 kW		
Power factor	0.8	0.9	1	0.8	0.9	1	0.8	0.9	1
DC+/DC- (mm ²)	50			70			70		NA
DC PE (mm ²)	25			35			35		

UPS rating	200 kW	250 kW	300 kW	350 kW	400 kW	450 kW	500 kW
Power factor	1						
Number of classic battery cabinets	2 x GVSCBC10-A2	2 x GVSCBC10-A2	3 x GVSCBC10-A2	3 x GVSCBC10-A2	4 x GVSCBC10-A2	4 x GVSCBC10-A2	4 x GVSCBC10-A2
DC+/DC- (mm ²)	70						
DC PE (mm ²)	35						

GVSCBC10B2

UPS rating	20-60 kW			80-100 kW			120-150 kW		
Power factor	0.8	0.9	1	0.8	0.9	1	0.8	0.9	1
DC+/DC- (mm ²)	50			70			95		
DC PE (mm ²)	25			35			50		

UPS rating	200 kW	250 kW	300 kW	350 kW	400 kW	450 kW	500 kW
Power factor	1						
Number of classic battery cabinets	2 x GVSCBC10-B2	2 x GVSCBC10-B2	3 x GVSCBC10-B2	3 x GVSCBC10-B2	4 x GVSCBC10-B2	4 x GVSCBC10-B2	4 x GVSCBC10-B2
DC+/DC- (mm ²)	70	95					
DC PE (mm ²)	35	50					

Torque Specifications

Bolt size	Torque
M4	1.7 Nm
M5	2.2 Nm
M6	5 Nm
M8	17.5 Nm
M10	30 Nm
M12	50 Nm

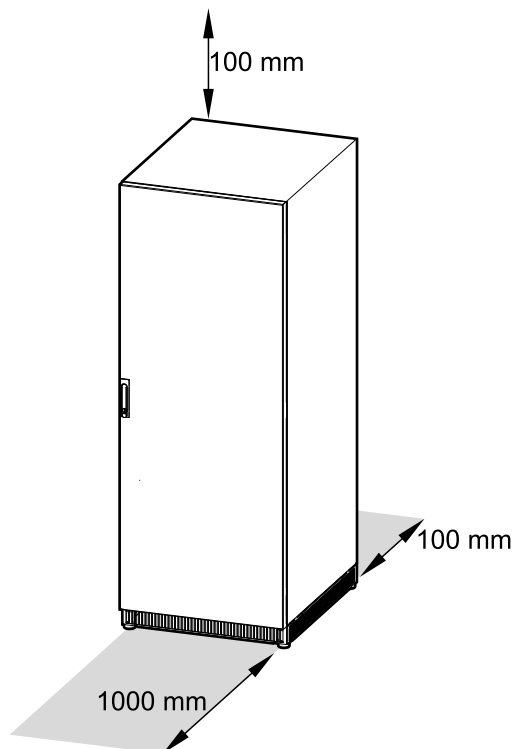
Environment

	Operating	Storage
Temperature	0 °C to 40 °C	-15 °C to 40 °C
Relative humidity	0-95% non-condensing	10-80% non-condensing
Elevation	0-1000 m	
Protection class	IP20	
Color	RAL 9003, gloss level 85%	

Clearance

NOTE: Clearance dimensions are published for airflow and service access only. Consult with the local safety codes and standards for additional requirements in your local area.

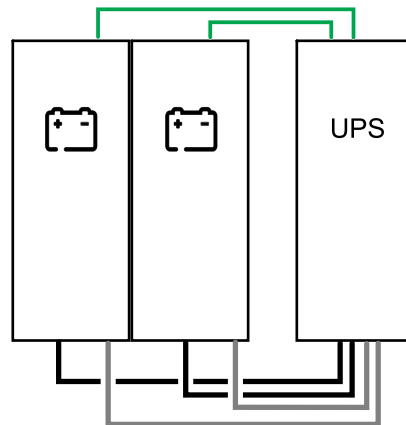
NOTE: The room should be ventilated to prevent the concentration of the dihydrogen generated by the battery cabinet. Recommended minimum airflow: 2.41 m³/h.



Classic Battery Cabinet Weights and Dimensions

Commercial reference	Weight kg	Height mm	Width mm	Depth mm
GVSCBC7C	900	1900	710	845
GVSCBC7D	569	1900	710	845
GVSCBC7E	790	1900	710	845
GVSCBC10A2	1102	1900	1010	845
GVSCBC10B2	1368	1900	1010	845

Installation Procedure



- Signal cable
- Power cable
- PE cable

NOTE: The distance between the battery bank and the UPS must not exceed 200 m. Contact Schneider Electric for installations with a longer distance.

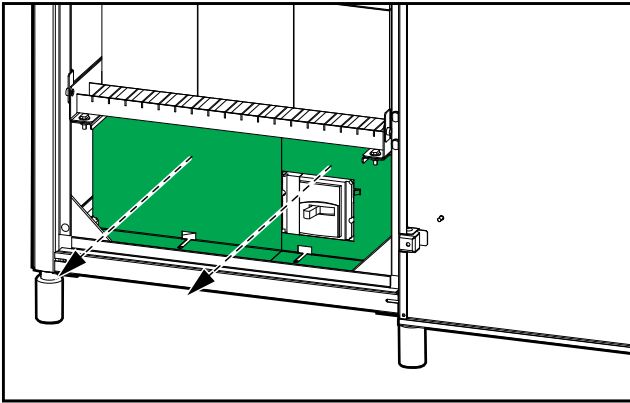
1. Prepare for Cables, page 19.
2. Perform one of the following:
 - Connect the Signal Cables to the Galaxy VS UPS, page 20, or
 - Connect the Signal Cables to the Galaxy VL UPS, page 23, or
 - Connect the Signal Cables to the Easy UPS 3-Phase Modular, page 27.
3. Connect the Power Cables, page 30.
4. Add Translated Safety Labels to Your Product, page 32.
5. Final Installation, page 33.

Post-requisite: For moving or decommissioning the classic battery cabinet after installation has been completed, please see Decommission or Move the Classic Battery Cabinet to a New Location, page 35.

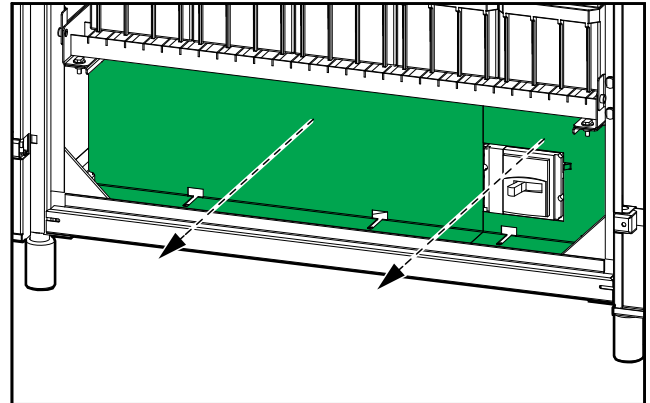
Prepare for Cables

1. Open the door(s). On GVSCBC10A2 and GVSCBC10B2, remove two screws to open the left door.
2. Lockout/Tagout the battery breaker in the OFF (open) position.
3. Remove the breaker protection plates.

GVSCBC7C, GVSCBC7D, GVSCBC7E



GVSCBC10A2, GVSCBC10B2



4. Remove the kit with copper bars/cables from the classic battery cabinet. Save for interconnection of the batteries – see [Connect the Power Cables](#), page 30.

Connect the Signal Cables to the Galaxy VS UPS

NOTE: Route the signal cables separately from the power cables to ensure sufficient isolation.

NOTE: Use double isolated signal cables. The signal cables must have a minimum rating of 600 V.

1. Install the temperature sensor provided with the UPS in the top of the classic battery cabinet.

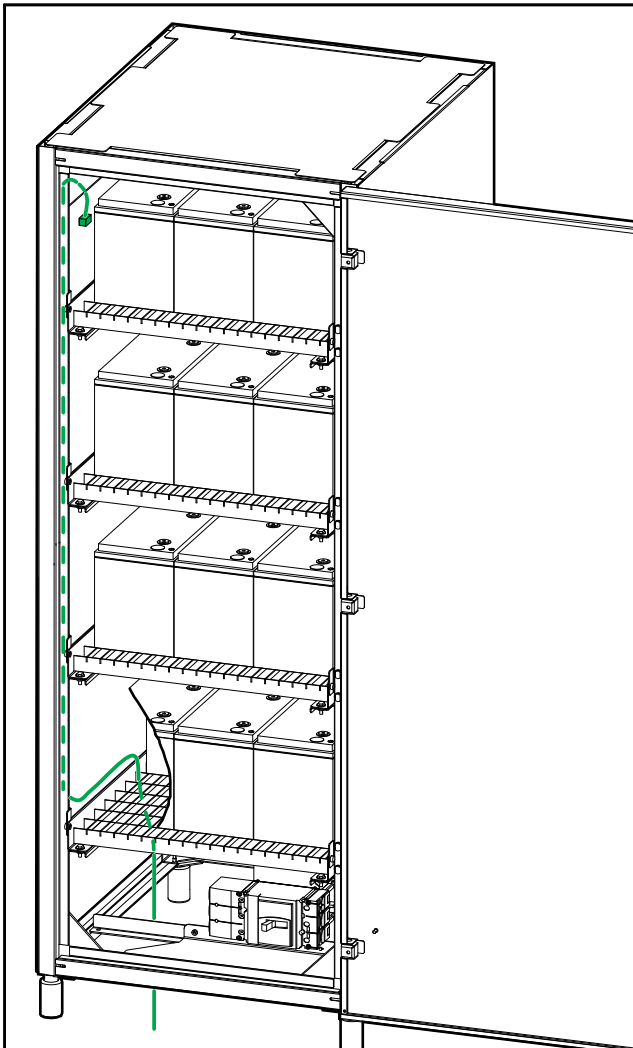
⚠️ ⚠️ WARNING

HAZARD OF FIRE

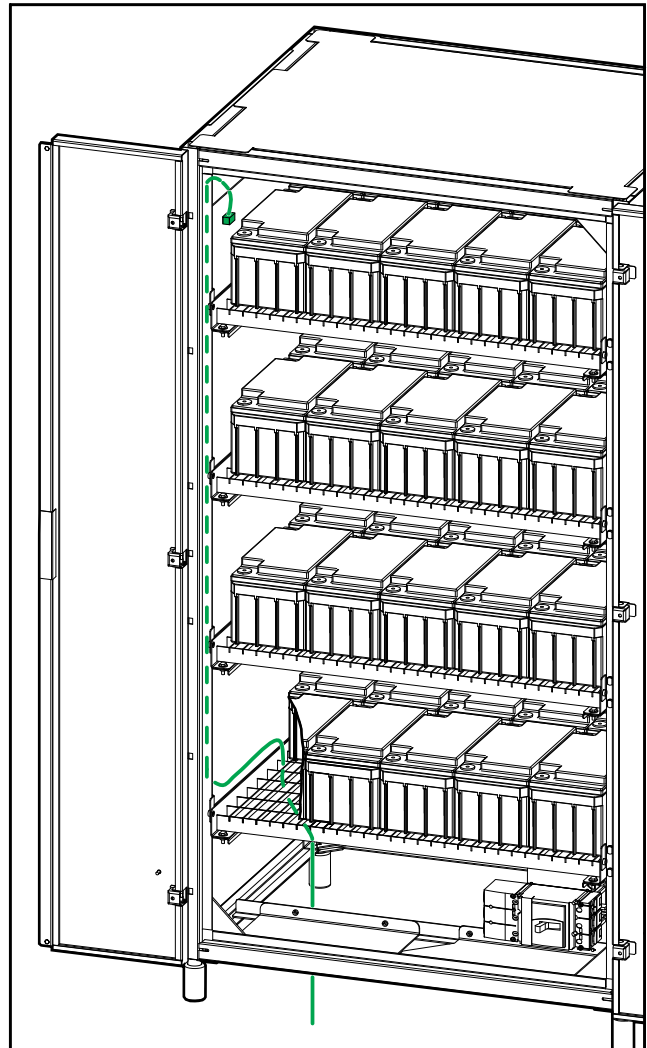
Position the temperature sensor as described to ensure correct temperature measurements.

Failure to follow these instructions can result in death, serious injury, or equipment damage.

GVSCBC7C, GVSCBC7D, GVSCBC7E



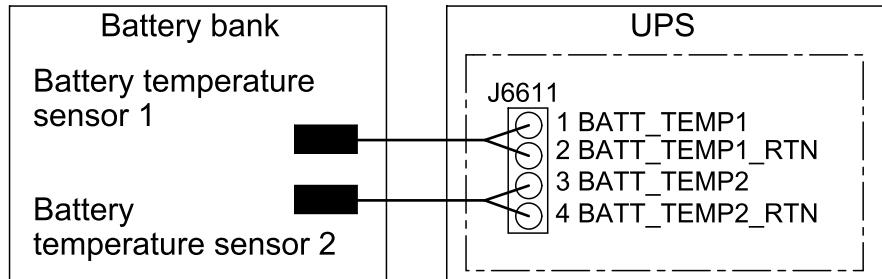
GVSCBC10A2, GVSCBC10B2



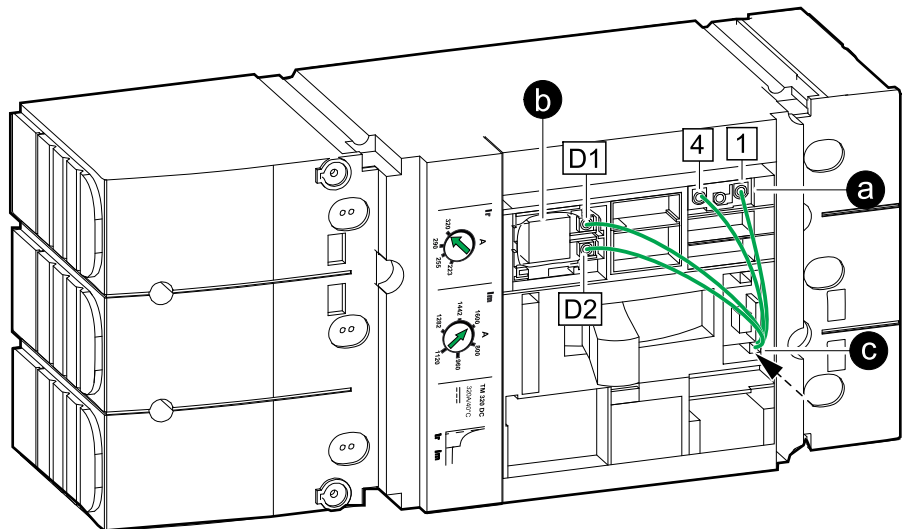
2. Route the battery temperature sensor cables through the bottom of the classic battery cabinet to the UPS and connect as shown.

NOTE: One temperature sensor is provided with the UPS. Contact Schneider Electric if you want to buy an additional temperature sensor (0J-0M-1160).

NOTE: The battery temperature sensor cables are considered Class 2 and SELV. Class 2 and SELV circuits must be double isolated from the primary circuitry.

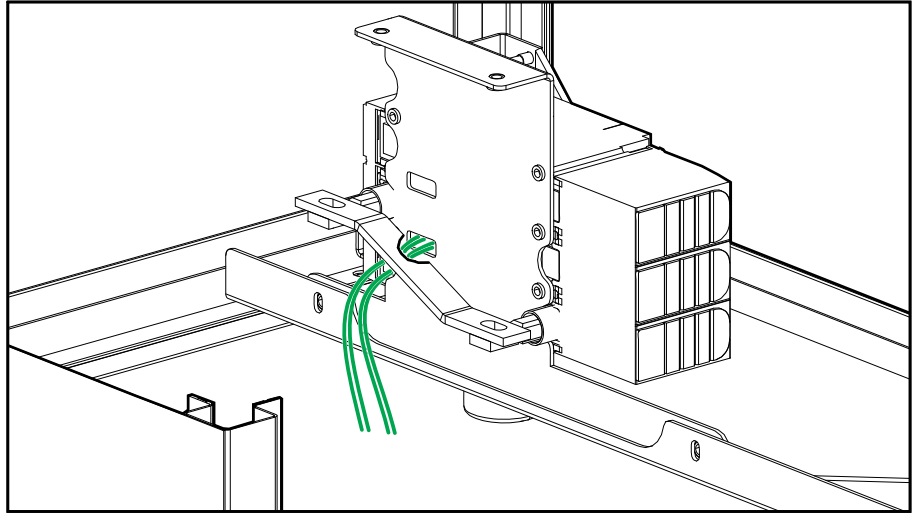


3. Remove the cover on the battery breaker.
4. Connect the signal cables to the battery breaker:
 - a. Connect the signal cables to the AUX switch.
 - b. Connect the signal cables to the undervoltage trip coil.
 - c. Route the signal cables out through the lower opening of the battery breaker.

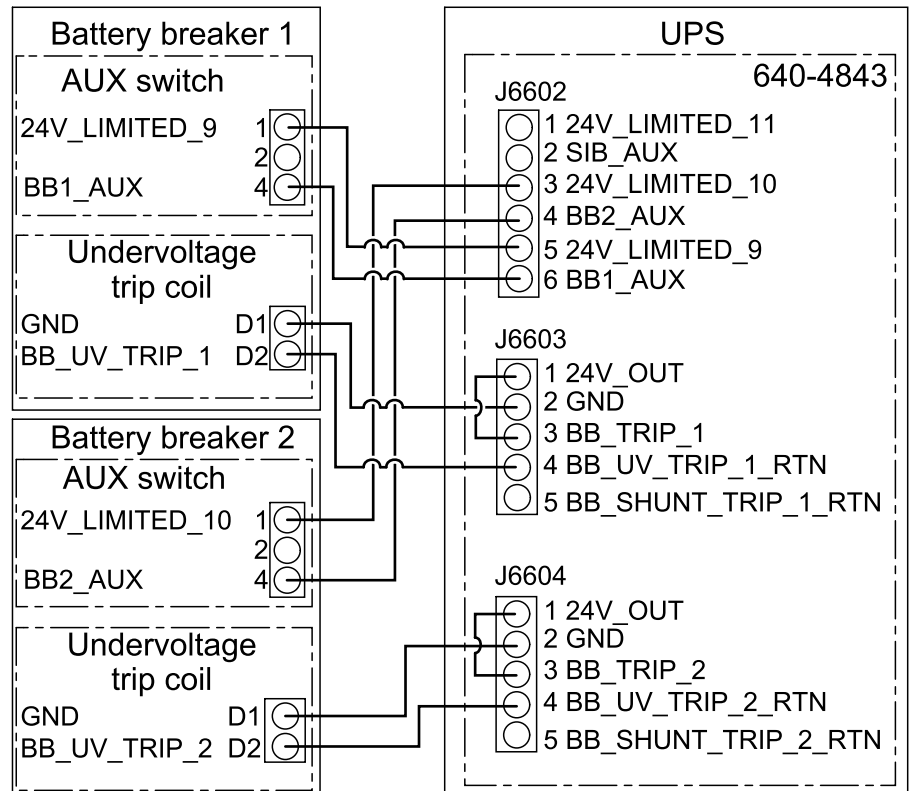


- Route the signal cables from behind the battery breaker and out through the bottom of the classic battery cabinet.

Rear View of the Battery Breaker



- Reinstall the cover on the battery breaker.
- Connect the signal cables in the UPS as shown.



Connect the Signal Cables to the Galaxy VL UPS

NOTE: Route the signal cables separately from the power cables to ensure sufficient isolation.

NOTE: Use double isolated signal cables. The signal cables must have a minimum rating of 600 V.

1. Install the temperature sensor(s) 0M-1160 provided with the UPS in the top of the classic battery cabinet(s).

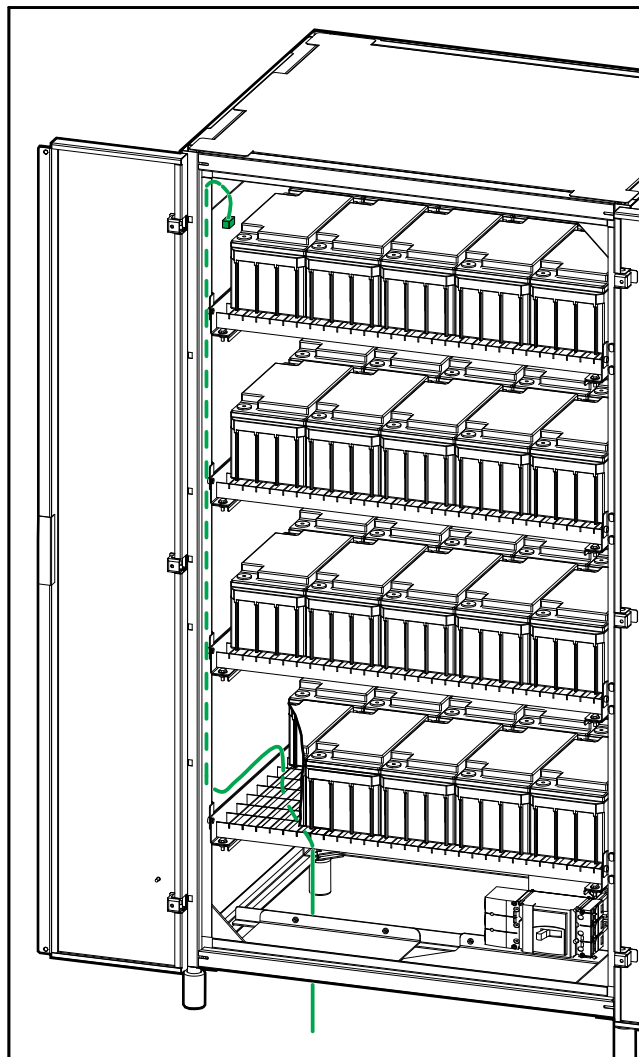
⚠️ ⚠️ WARNING

HAZARD OF FIRE

Position the temperature sensor as described to ensure correct temperature measurements.

Failure to follow these instructions can result in death, serious injury, or equipment damage.

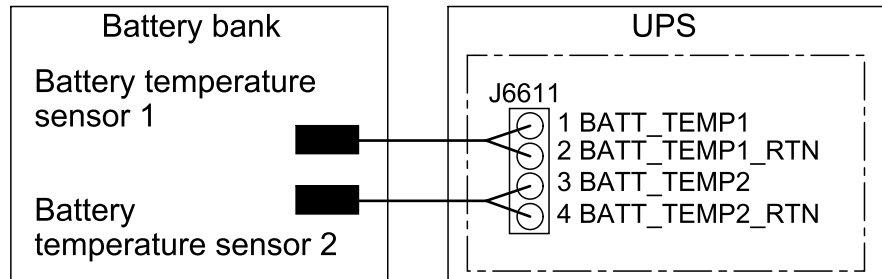
GVSCBC10A2, GVSCBC10B2



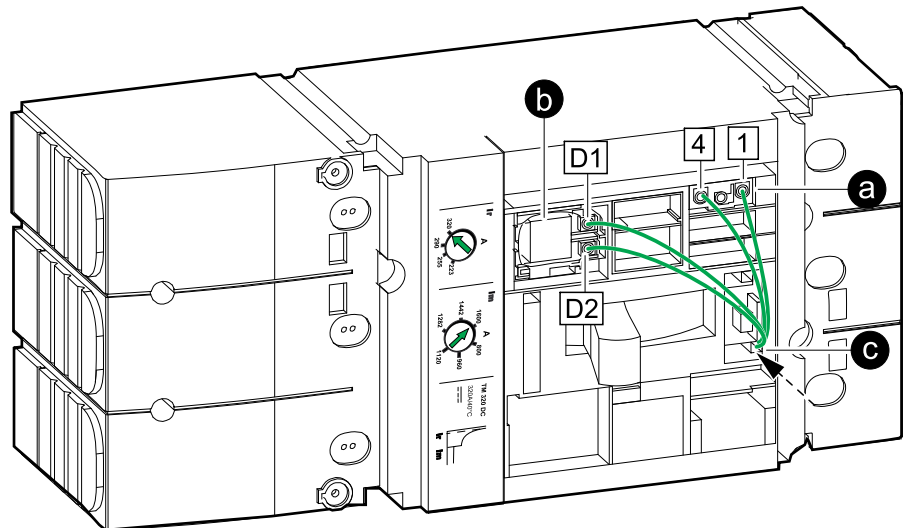
2. Route the battery temperature sensor cables through the bottom of the classic battery cabinet to the UPS and connect as shown.

NOTE: Two temperature sensors are provided with the UPS.

NOTE: The battery temperature sensor cables are considered Class 2 and SELV. Class 2 and SELV circuits must be double isolated from the primary circuitry.

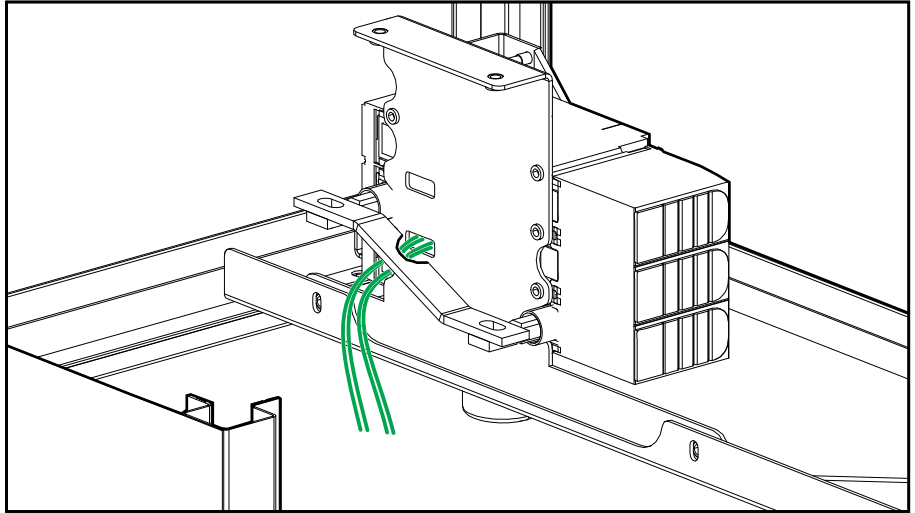


3. Remove the cover on the battery breaker.
4. Connect the signal cables to the battery breaker:
 - a. Connect the signal cables to the AUX switch.
 - b. Connect the signal cables to the undervoltage trip coil.
 - c. Route the signal cables out through the lower opening of the battery breaker.



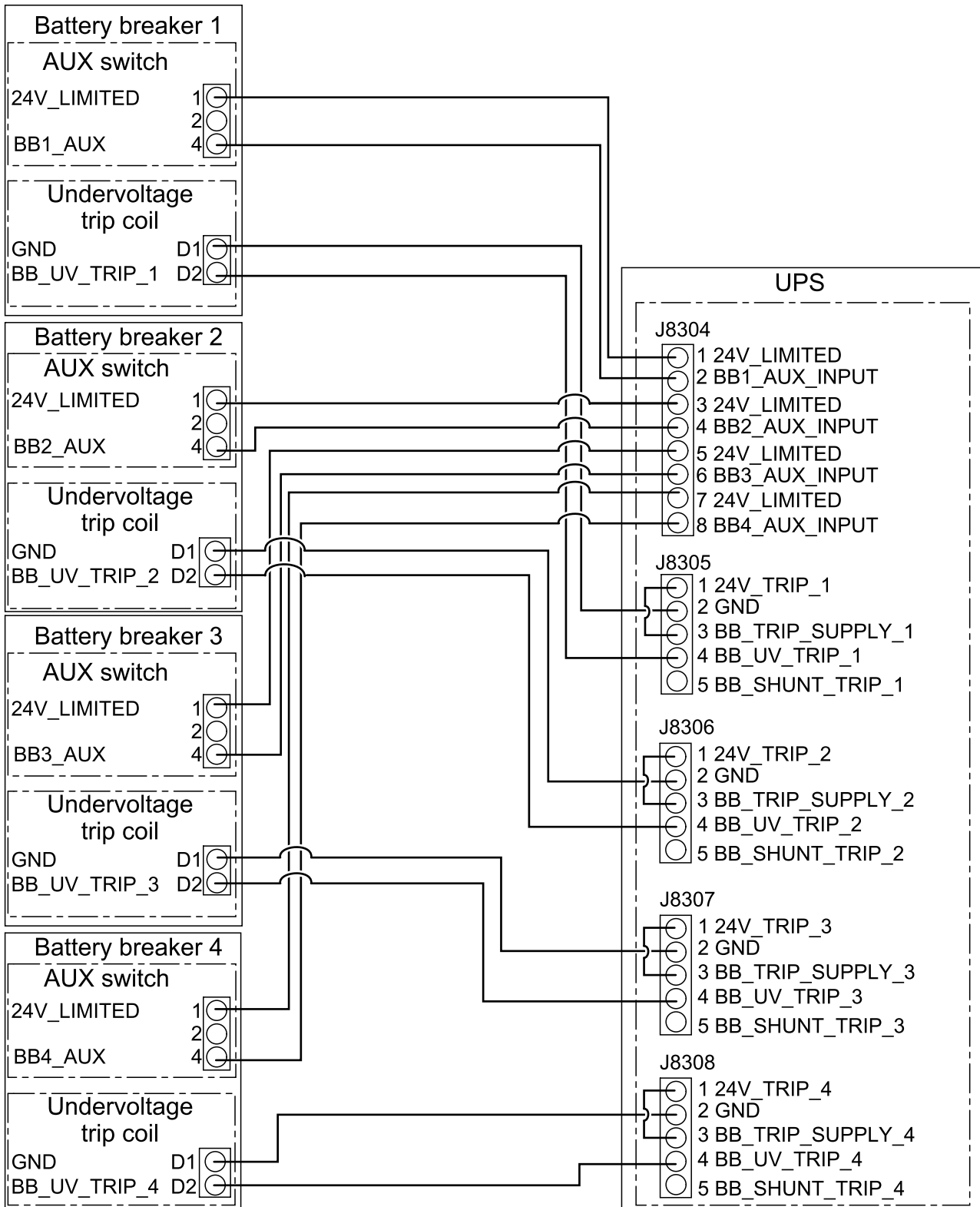
5. Route the signal cables from behind the battery breaker and out through the bottom of the classic battery cabinet.

Rear View of the Battery Breaker



6. Reinstall the cover on the battery breaker.

7. Connect the signal cables in the UPS as shown.



Connect the Signal Cables to the Easy UPS 3-Phase Modular

NOTE: Route the signal cables separately from the power cables to ensure sufficient isolation.

NOTE: Use double isolated signal cables. The signal cables must have a minimum rating of 600 V.

1. Install the battery temperature sensor(s) (not provided).

NOTE: Temperature sensors (SP3OPT006) are available as an optional kit.

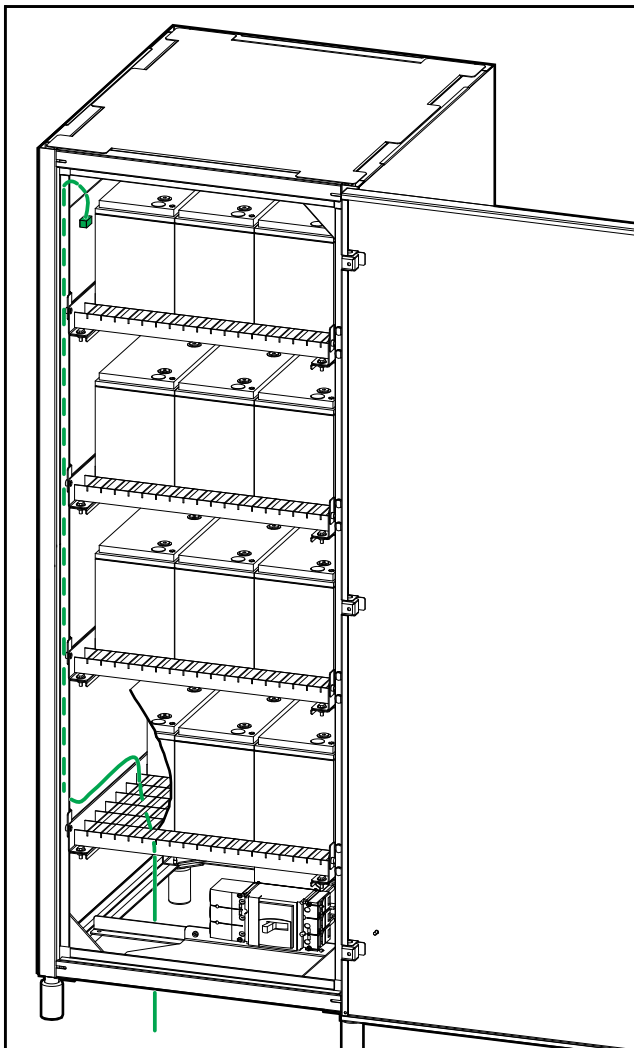
⚠️ ⚠️ WARNING

HAZARD OF FIRE

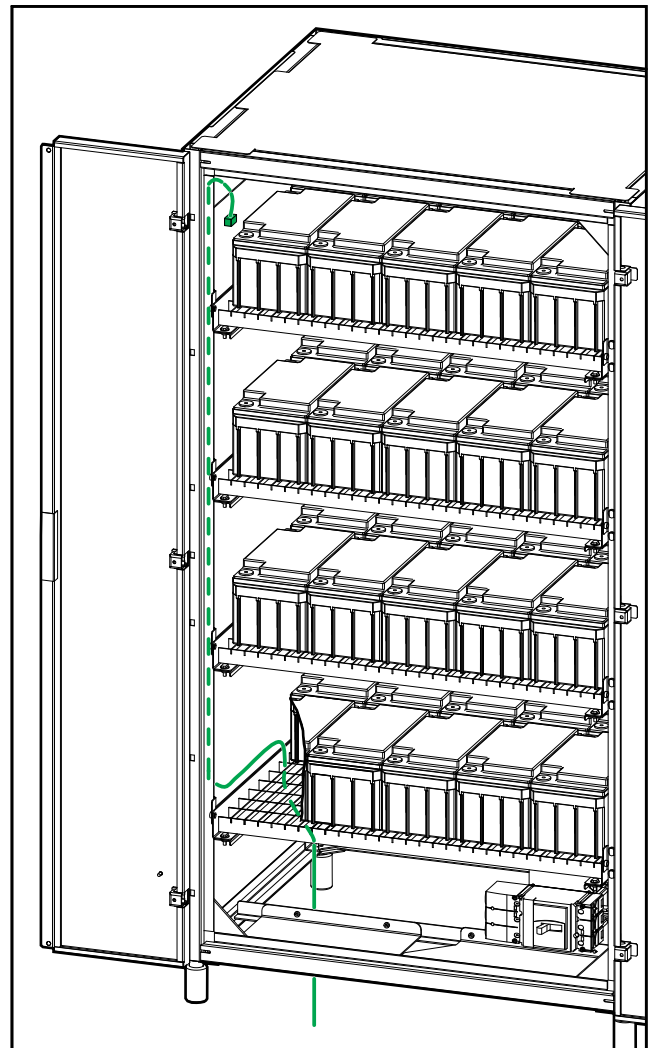
Position the temperature sensor as described to ensure correct temperature measurements.

Failure to follow these instructions can result in death, serious injury, or equipment damage.

GVSCBC7C, GVSCBC7D, GVSCBC7E

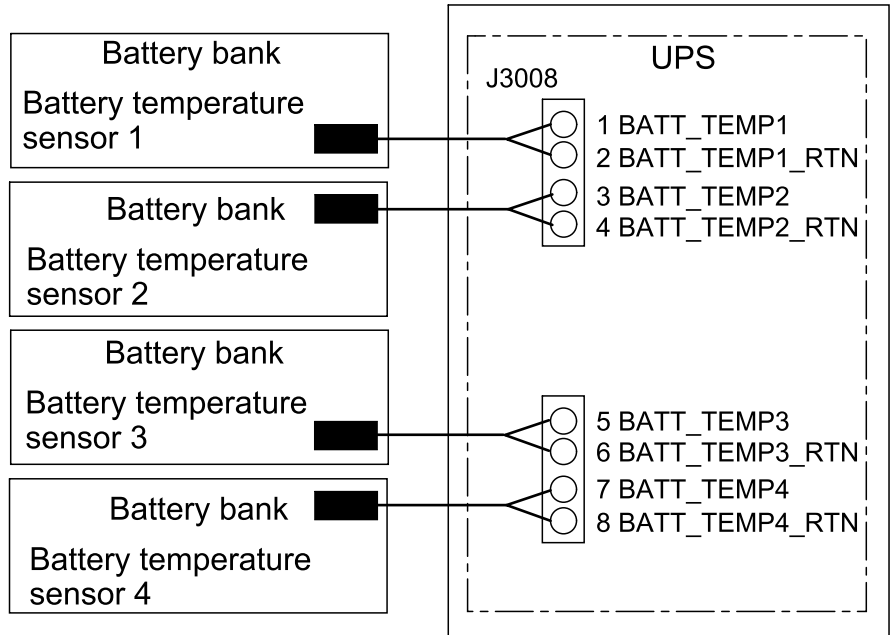


GVSCBC10A2, GVSCBC10B2

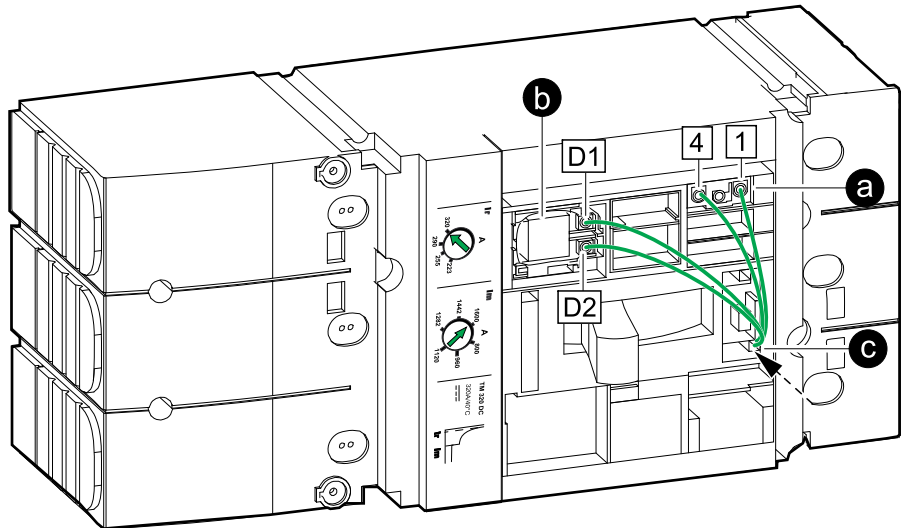


2. Route the battery temperature sensor cables through the bottom of the classic battery cabinet to the UPS and connect as shown.

NOTE: The battery temperature sensor cables are considered Class 2 and SELV. Class 2 and SELV circuits must be double isolated from the primary circuitry.

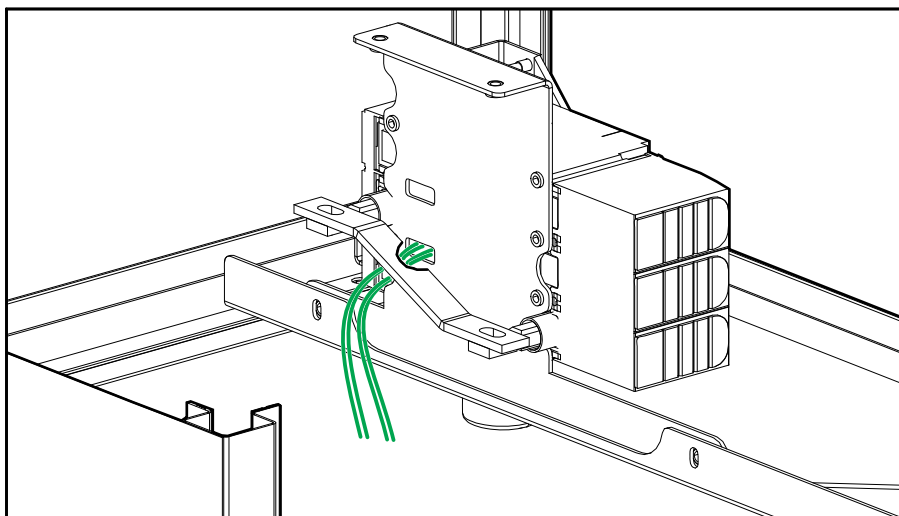


3. Remove the cover on the battery breaker.
4. Connect the signal cables to the battery breaker:
 - a. Connect the signal cables to the AUX switch.
 - b. Connect the signal cables to the undervoltage trip coil.
 - c. Route the signal cables out through the lower opening of the battery breaker.

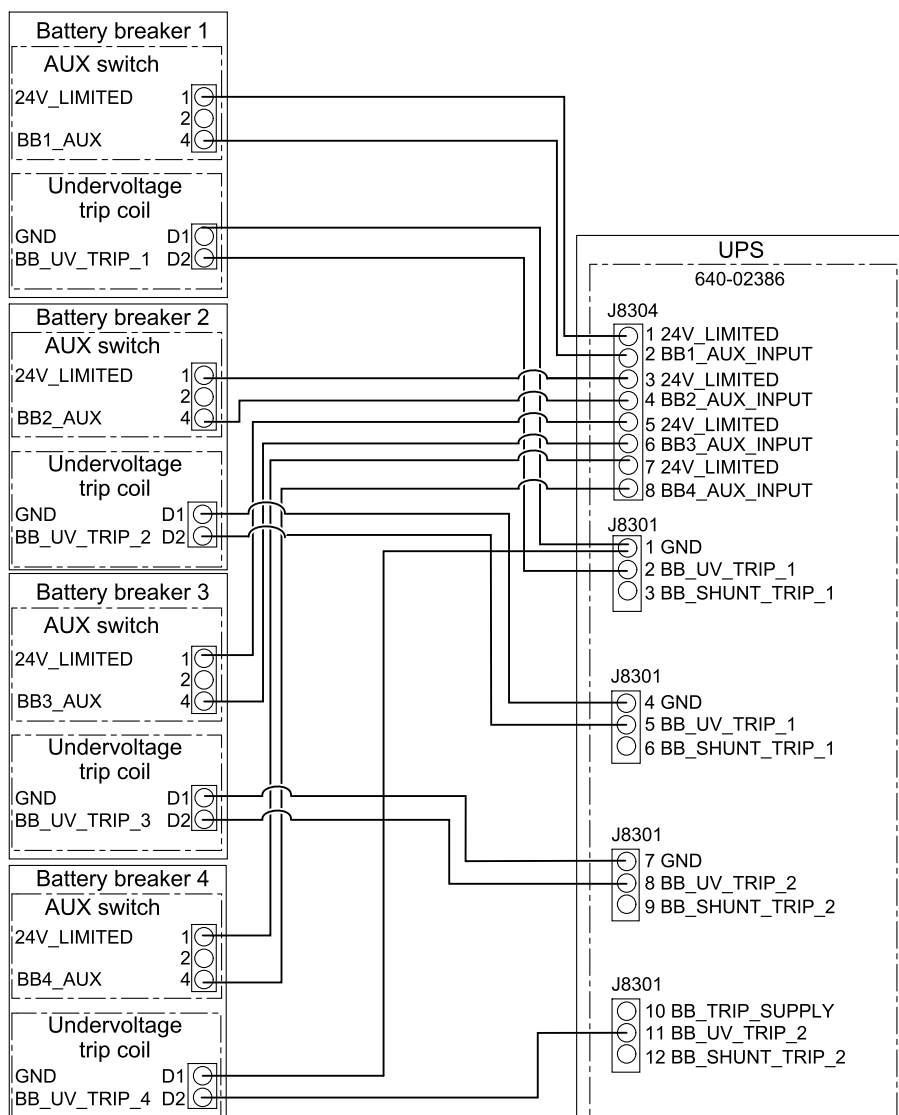


- Route the signal cables from behind the battery breaker and out through the bottom of the classic battery cabinet.

Rear View of the Battery Breaker



- Reinstall the cover on the battery breaker.
- Connect the signal cables in the UPS as shown.



Connect the Power Cables

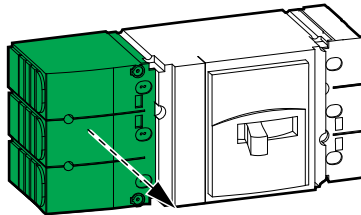
⚡ ⚠ DANGER

HAZARD OF ELECTRIC SHOCK, EXPLOSION, OR ARC FLASH

Perform a total power off of the UPS before connecting the DC cables and battery cables to the classic battery cabinet.

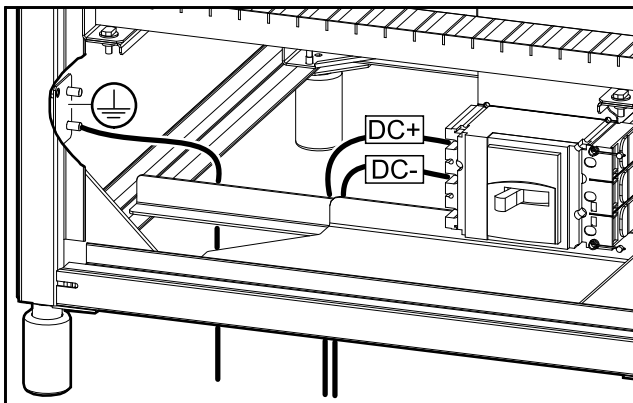
Failure to follow these instructions will result in death or serious injury.

1. Remove the terminal cover from the left side of the battery breaker.

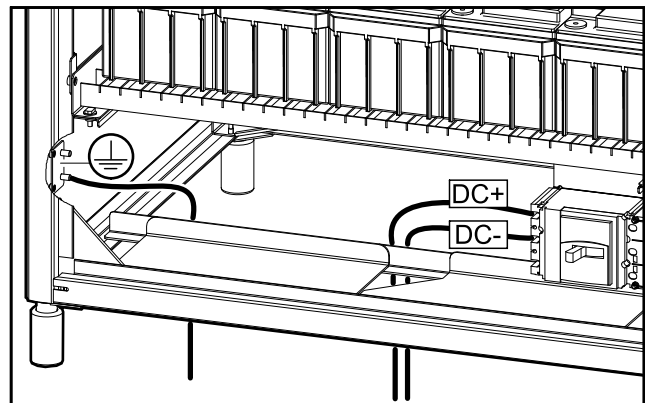


2. Route the PE cable through the bottom of the classic battery cabinet and connect the PE cable.

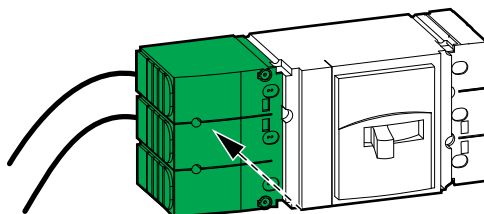
GVSCBC7C, GVSCBC7D, GVSCBC7E



GVSCBC10A2, GVSCBC10B2



3. Route the DC cables through the bottom of the classic battery cabinet and connect the DC cables (DC+, DC-). Use lock washers (not provided) when connecting the DC cables.
4. Reinstall the terminal cover on the left side of the battery breaker.



5. Reinstall the breaker protection plates.

6. Interconnect the batteries on each shelf in the classic battery cabinet(s) with the provided copper bars or cables and connect to the right side of the battery breaker. Refer to the connection diagram on the inside of the front door of the classic battery cabinet.

 **DANGER****HAZARD OF ELECTRIC SHOCK, EXPLOSION, OR ARC FLASH**

Batteries can present a risk of electric shock and high short-circuit current. The following precautions must be observed when working on batteries:

- Remove watches, rings, or other metal objects.
- Use tools with insulated handles.
- Wear protective glasses, gloves, and boots.
- Do not lay tools or metal parts on top of batteries.
- Disconnect the charging source prior to connecting or disconnecting battery terminals.
- Determine if the battery is inadvertently grounded. If inadvertently grounded, remove source from ground. Contact with any part of a grounded battery can result in electric shock and burns by high short-circuit current. The likelihood of such shock can be reduced if such grounds are removed during installation and maintenance by a skilled person (applicable to equipment and remote battery supplies not having a grounded supply circuit).

Failure to follow these instructions will result in death or serious injury.

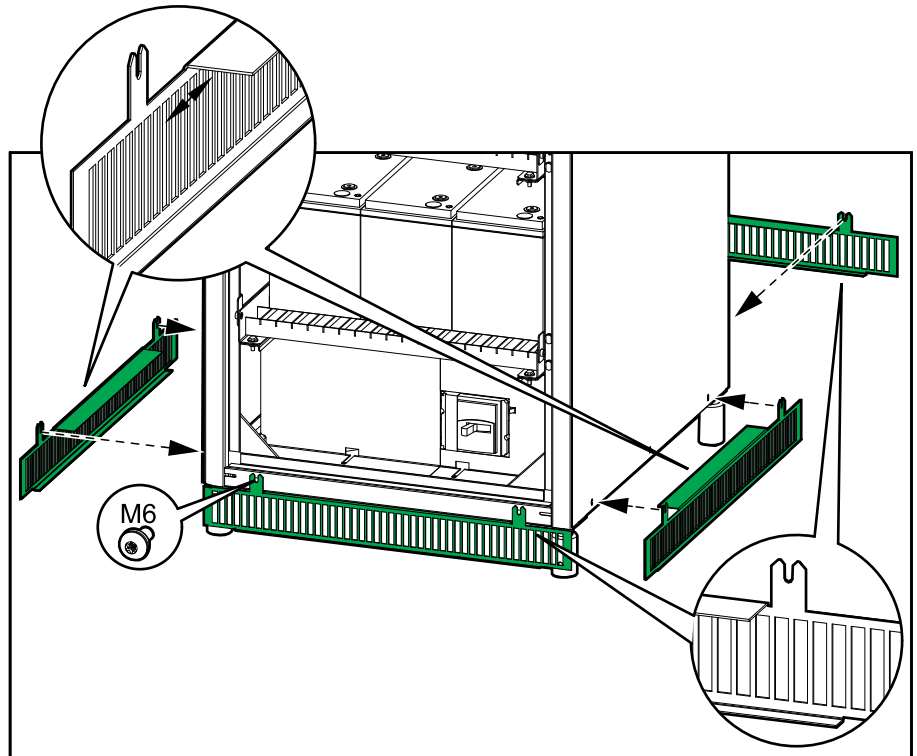
Add Translated Safety Labels to Your Product

The safety labels on your product are in English and French. Sheets with translated safety labels are provided with your product.

1. Find the sheets with translated safety labels provided with your product.
2. Check which 885-XXX numbers are on the sheet with translated safety labels.
3. Locate the safety labels on your product that match the translated safety labels on the sheet – look for the 885-XXX numbers.
4. Add the replacement safety label in your preferred language to your product on top of the existing French safety label.

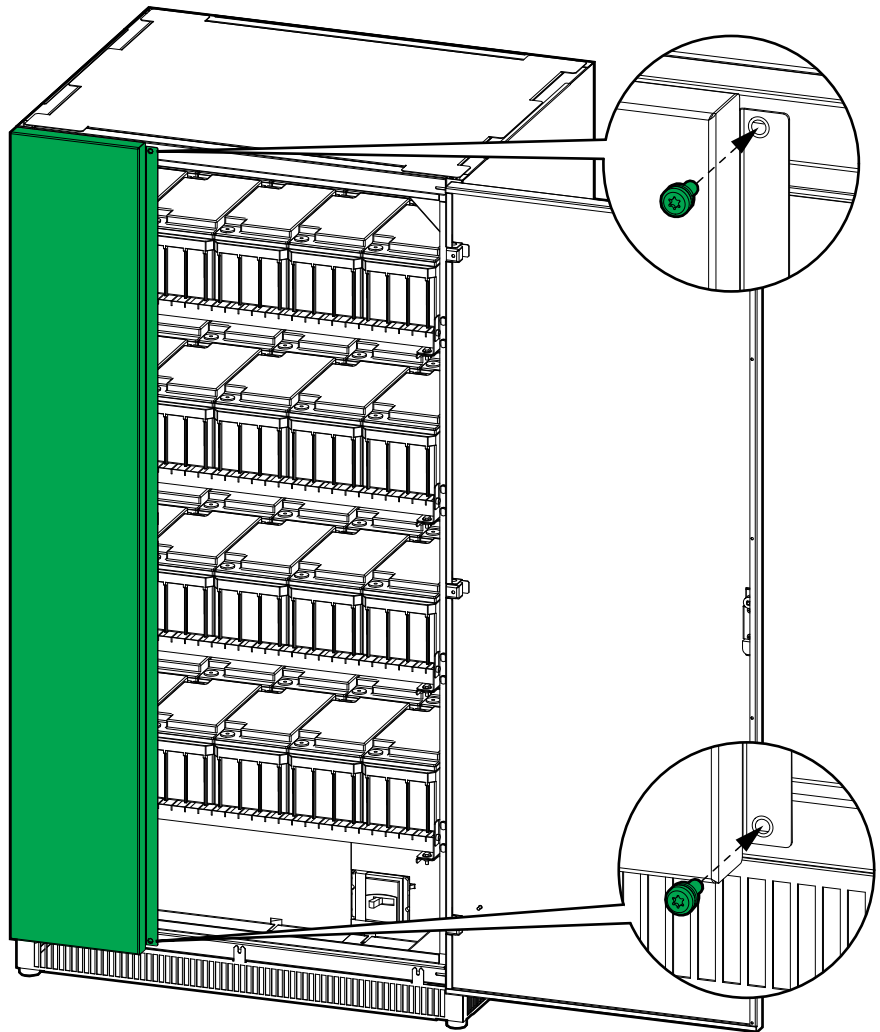
Final Installation

1. Install the provided kick plates on the front, rear, and sides of the classic battery cabinet.



NOTE: Only remove the kick plates when following the procedure for decommissioning or moving the classic battery cabinet. See [Decommission or Move the Classic Battery Cabinet to a New Location](#), page 35 for details.

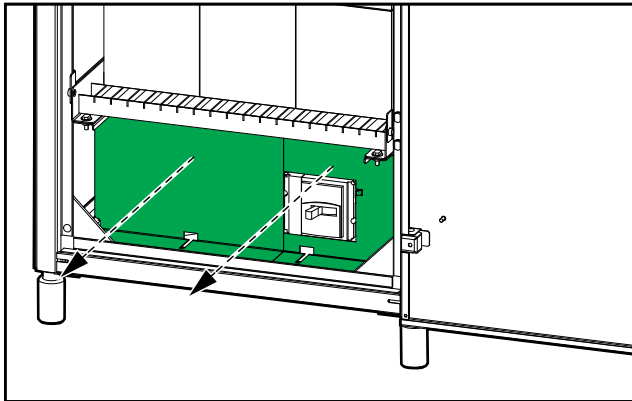
2. Close the door(s). On GVSCBC10A2 and GVSCBC10B2, install two screws to close the left door.

GVSCBC10A2, GVSCBC10B2

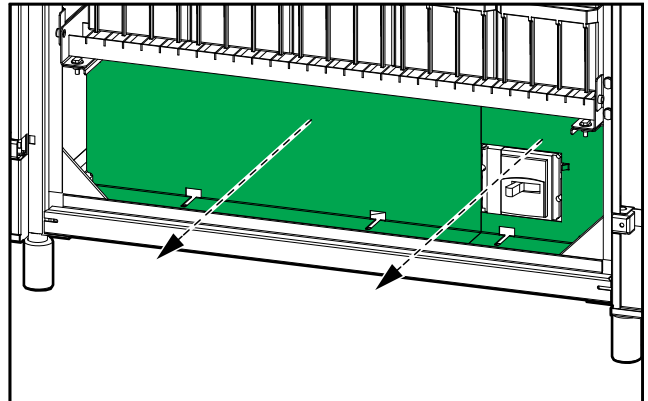
Decommission or Move the Classic Battery Cabinet to a New Location

1. Open the door(s). On GVSCBC10A2 and GVSCBC10B2, remove two screws to open the left door.
2. Lockout/Tagout the battery breaker in the OFF (open) position.
3. Remove the breaker protection plates.

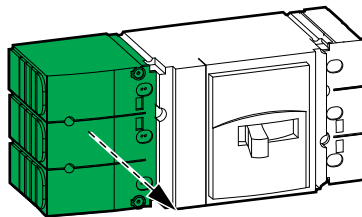
GVSCBC7C, GVSCBC7D, GVSCBC7E



GVSCBC10A2, GVSCBC10B2

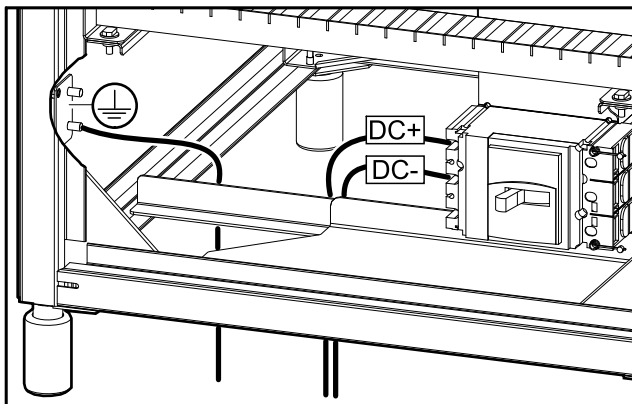


4. Remove the terminal cover from the left side of the battery breaker.

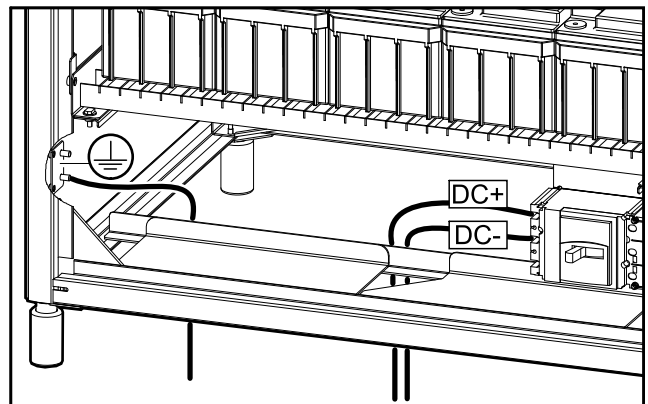


5. Disconnect and remove the DC cables and PE cable from the battery breaker.

GVSCBC7C, GVSCBC7D, GVSCBC7E



GVSCBC10A2, GVSCBC10B2



6. Disconnect and remove the interconnection copper bars or interconnection cables between the batteries on each shelf. Disconnect and remove the battery cables from the right side of the battery breaker. Refer to the connection diagram on the inside of the front door of the classic battery cabinet.

⚠️⚠️ DANGER

HAZARD OF ELECTRIC SHOCK, EXPLOSION, OR ARC FLASH

Batteries can present a risk of electric shock and high short-circuit current. The following precautions must be observed when working on batteries:

- Remove watches, rings, or other metal objects.
- Use tools with insulated handles.
- Wear protective glasses, gloves, and boots.
- Do not lay tools or metal parts on top of batteries.
- Disconnect the charging source prior to connecting or disconnecting battery terminals.
- Determine if the battery is inadvertently grounded. If inadvertently grounded, remove source from ground. Contact with any part of a grounded battery can result in electric shock and burns by high short-circuit current. The likelihood of such shock can be reduced if such grounds are removed during installation and maintenance by a skilled person (applicable to equipment and remote battery supplies not having a grounded supply circuit).

Failure to follow these instructions will result in death or serious injury.

7. Remove the batteries from the shelves. Recycle or reuse the batteries as appropriate.

⚠️⚠️ DANGER

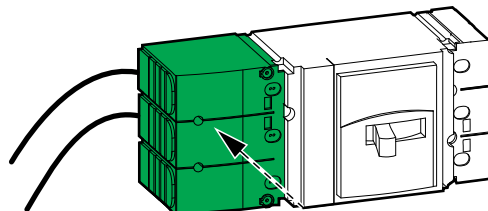
HAZARD OF ELECTRIC SHOCK, EXPLOSION, OR ARC FLASH

Servicing of batteries must only be performed or supervised by qualified personnel knowledgeable of batteries and the required precautions. Keep unqualified personnel away from batteries.

- Recycle lead-acid batteries correctly. Batteries contain lead and dilute sulfuric acid.
- Dispose of the batteries in accordance with country and local regulations.

Failure to follow these instructions will result in death or serious injury.

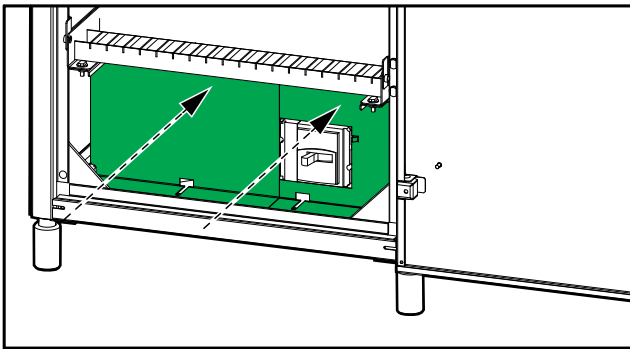
8. Reinstall the terminal cover on the left side of the battery breaker.



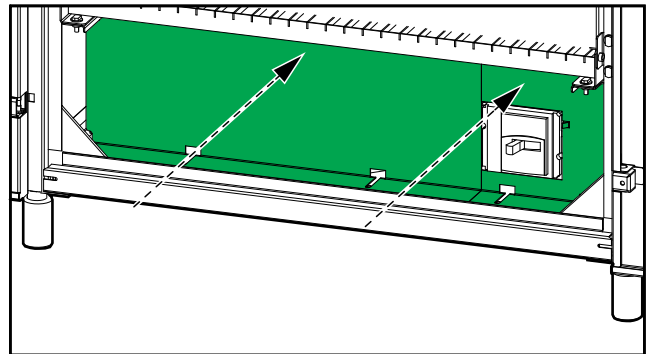
9. Disconnect and remove any signal cables from the classic battery cabinet.

10. Reinstall the breaker protection plates.

GVSCBC7C, GVSCBC7D, GVSCBC7E

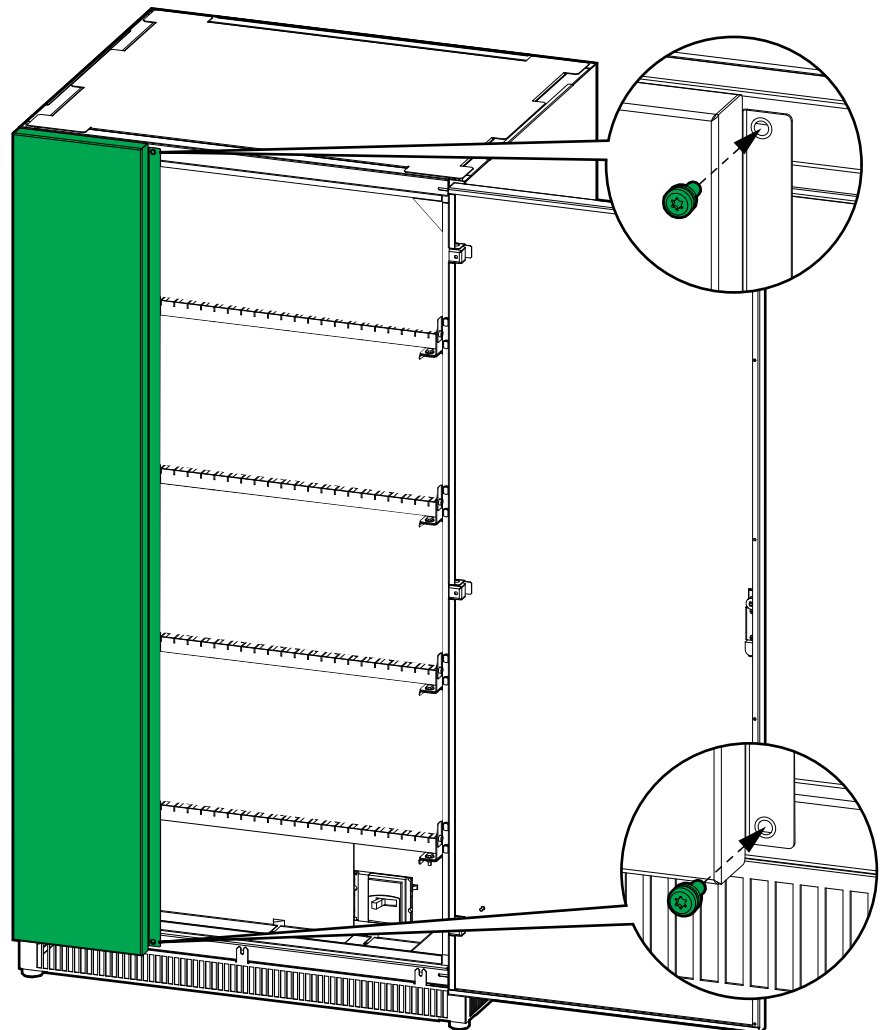


GVSCBC10A2, GVSCBC10B2



11. Close the door(s). On GVSCBC10A2 and GVSCBC10B2, install two screws to close the left door.

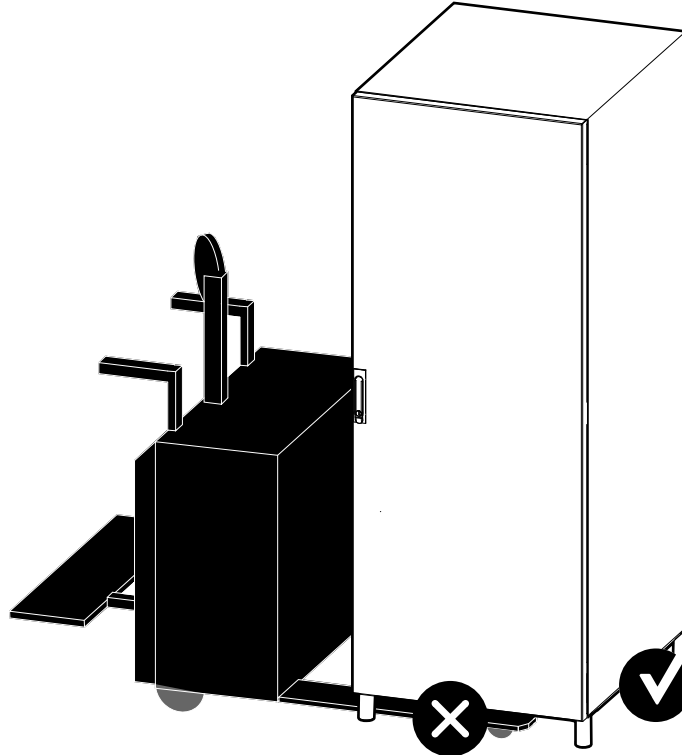
GVSCBC10A2, GVSCBC10B2



12. Remove the kick plates from the front, rear, and sides of the classic battery cabinet.

13. Lift the classic battery cabinet from the left or right side with a pallet truck.

⚠ WARNING
TIPPING HAZARD <ul style="list-style-type: none">• Do not lift the cabinet with a forklift. Use a pallet truck• Do not lift the cabinet from the front or from the rear. Lift from the left or right side. Failure to follow these instructions can result in death, serious injury, or equipment damage.



14. Perform one of the following:
- Decommission the classic battery cabinet, OR
 - Move the classic battery cabinet to a new location to install it.
15. **Only for installing the classic battery cabinet in new a location:** Reinstall the batteries in the classic battery cabinet after moving it to the new location. Follow the installation manual to install battery interconnections, signal cables, power cables, etc. See *Installation Procedure*, page 18 for installation overview.

Schneider Electric
35 rue Joseph Monier
92500 Rueil Malmaison
France

+ 33 (0) 1 41 29 70 00



As standards, specifications, and design change from time to time,
please ask for confirmation of the information given in this publication.

© 2018 – 2022 Schneider Electric. All rights reserved.

990-5913D-001