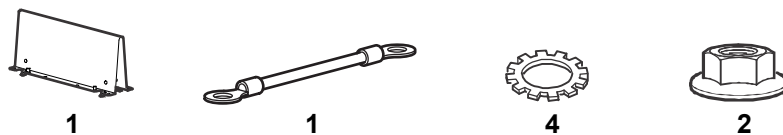
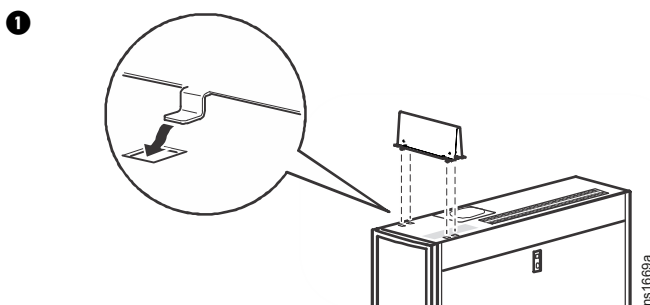


# Cable Partition for 300 mm Modular Power Distribution Unit

AR8184



## Installation



### **NOTICE**

For some applications, the four hooks on the bottom of the partition may need to be flattened and hook-and-loop fasteners may need to be used to secure the partition.

