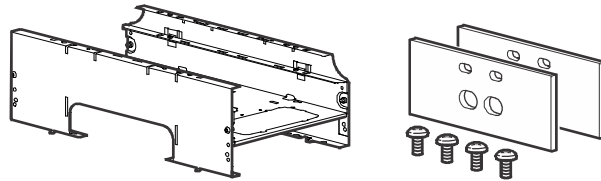


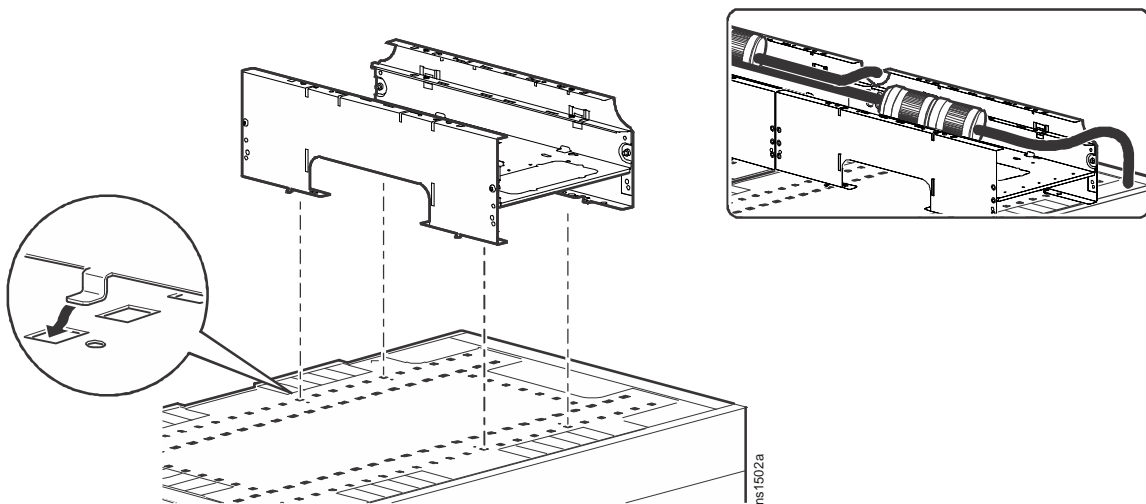
## Cable Trough Installation (for 600mm or 750mm Wide NetShelter™ Cabinet)

AR8561, AR8571

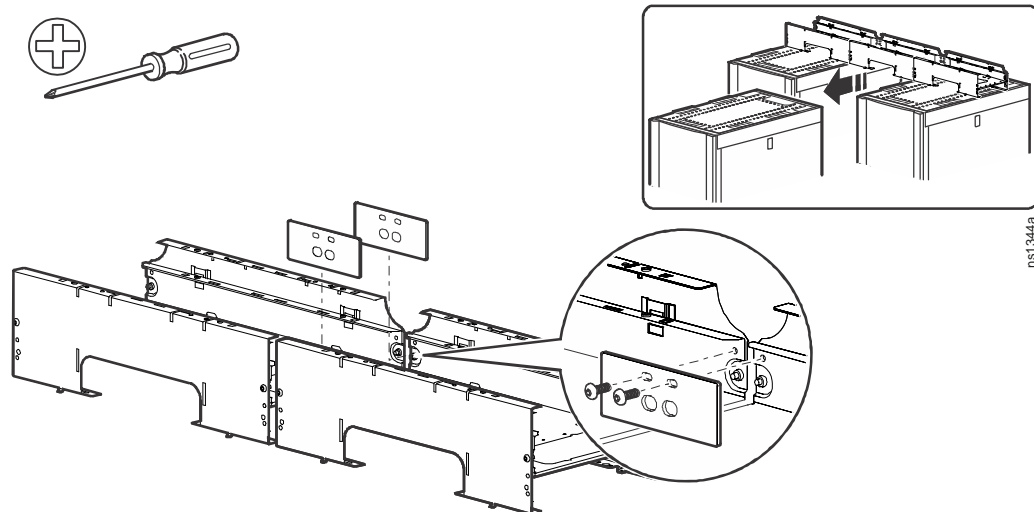
Inventory



Installation



Optional Installation



## Ground Equipment

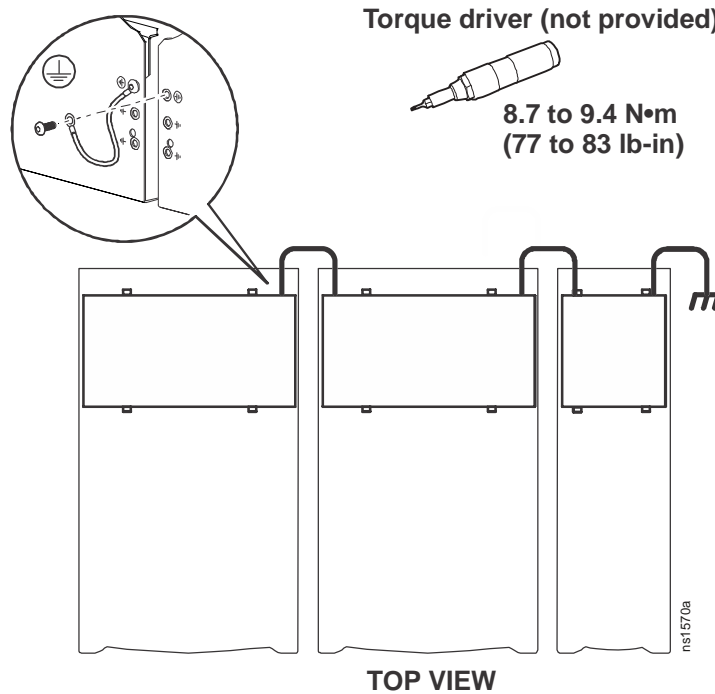
**⚠ ⚠ DANGER**

### HAZARD OF ELECTRIC SHOCK

Ensure that all installed equipment is properly grounded.

**Failure to follow these instructions can result in death or serious injury.**

**NOTE:** Equipment is suitable for circuits protected by an over-current device rated at 100 A Max.



Customer support and warranty information is available at [www.schneider-electric.com](http://www.schneider-electric.com).

© 2015 Schneider Electric. All Rights Reserved. APC and NetShelter are trademarks owned by Schneider Electric Industries, S.A.S.

**990-3352B**  
**12/2015**